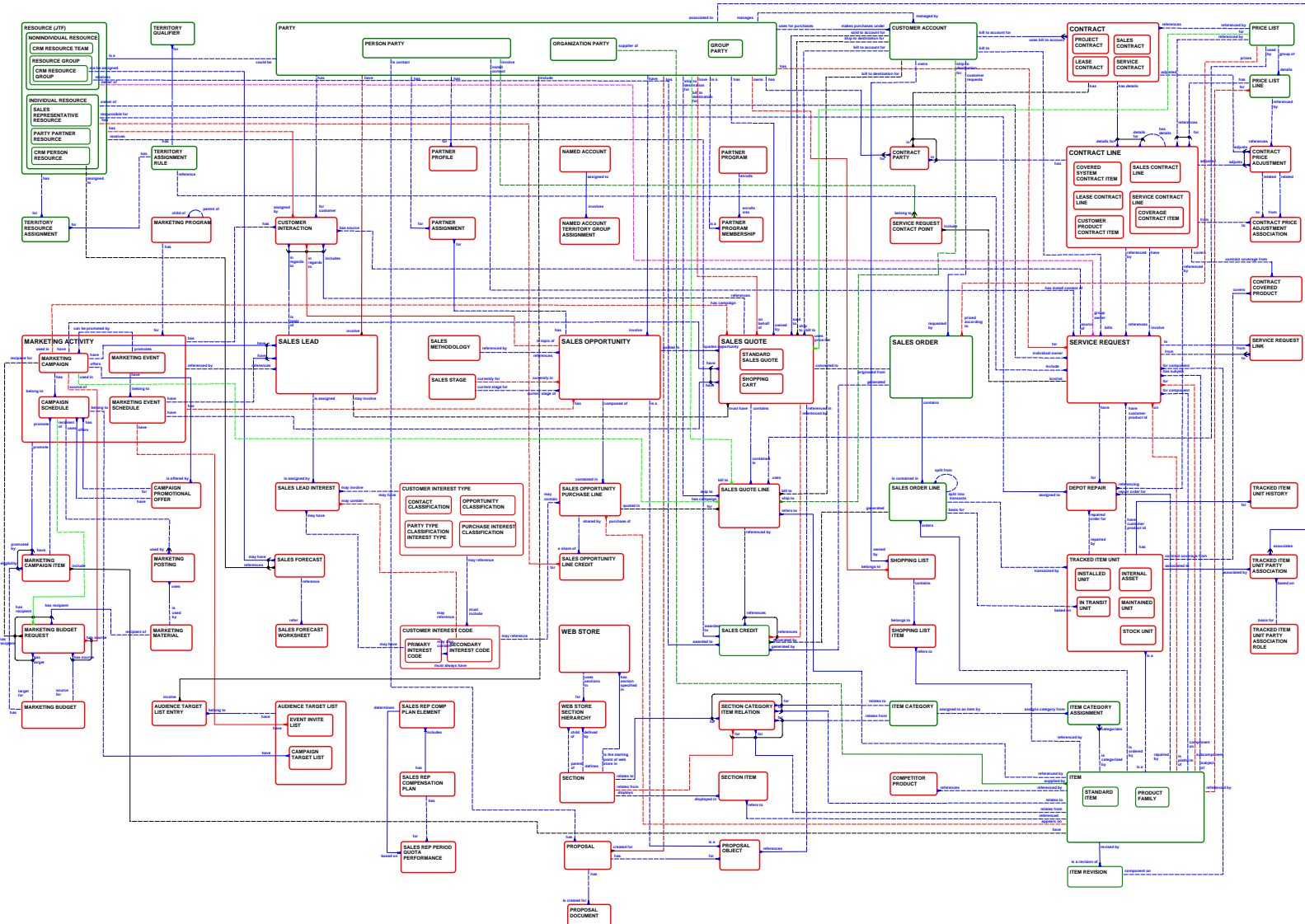


# Oracle Customer Relationship Management – Release 11i.9 Logical Data Model



**ER Diagram Legend**

Red entities - owned by application product shown in diagram title  
 Green entities - owned by other application products  
 Relationship line colors serve as a visual aid



Copyright © 2001, 2003 Oracle Corporation. All Rights Reserved  
 This logical data model is subject to change without notice.