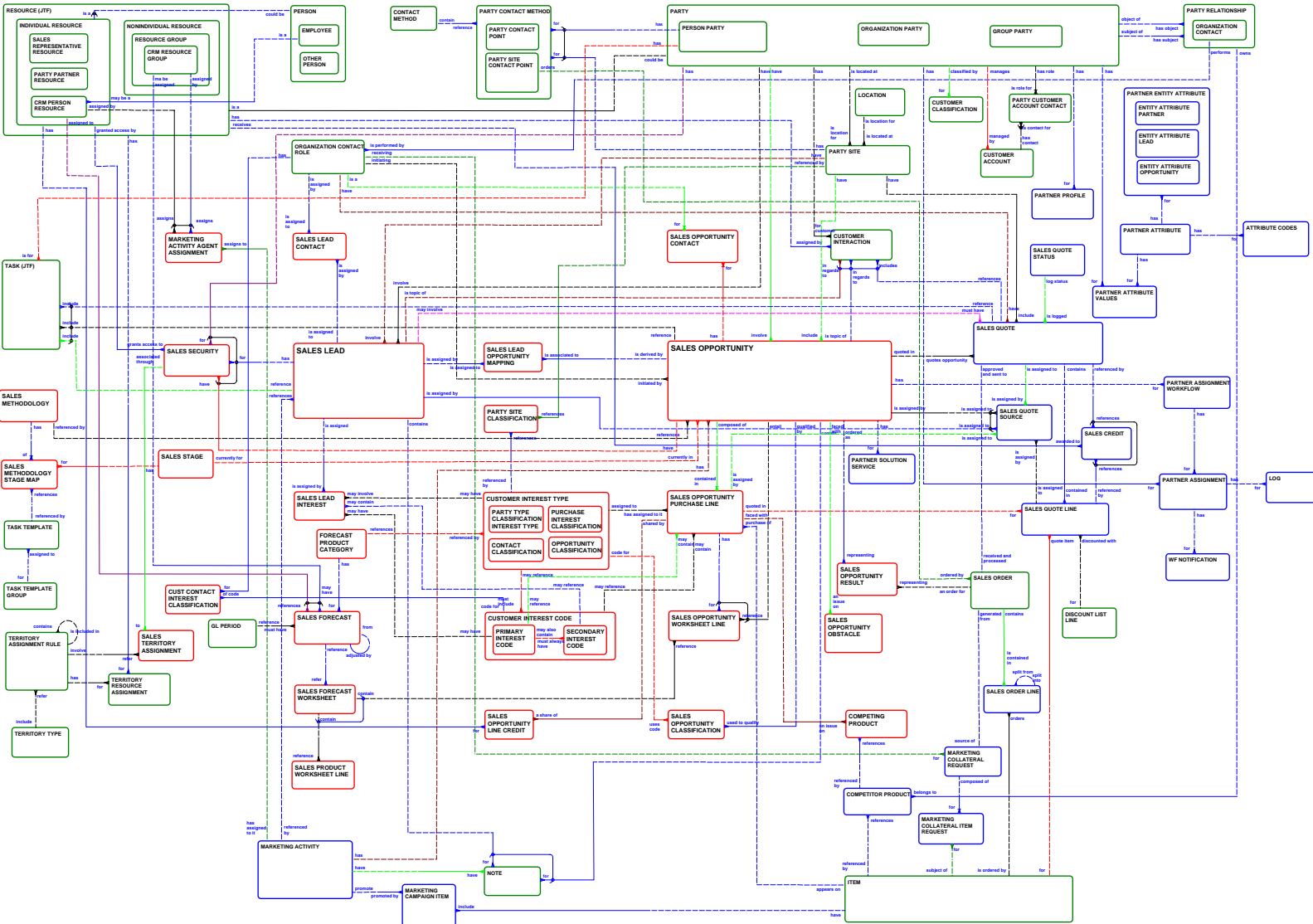


Oracle Sales (Sales Online & Telesales)
Release 11i.8
Logical Data Model



PR Diagram Legend
Red entities - owned by application product shown in diagram title
Blue entities - owned by Marketing and Commerce products
Green entities - owned by other application products

Copyright © 2000, 2002 Oracle Corporation. All Rights Reserved
This logical data model is subject to change without notice.